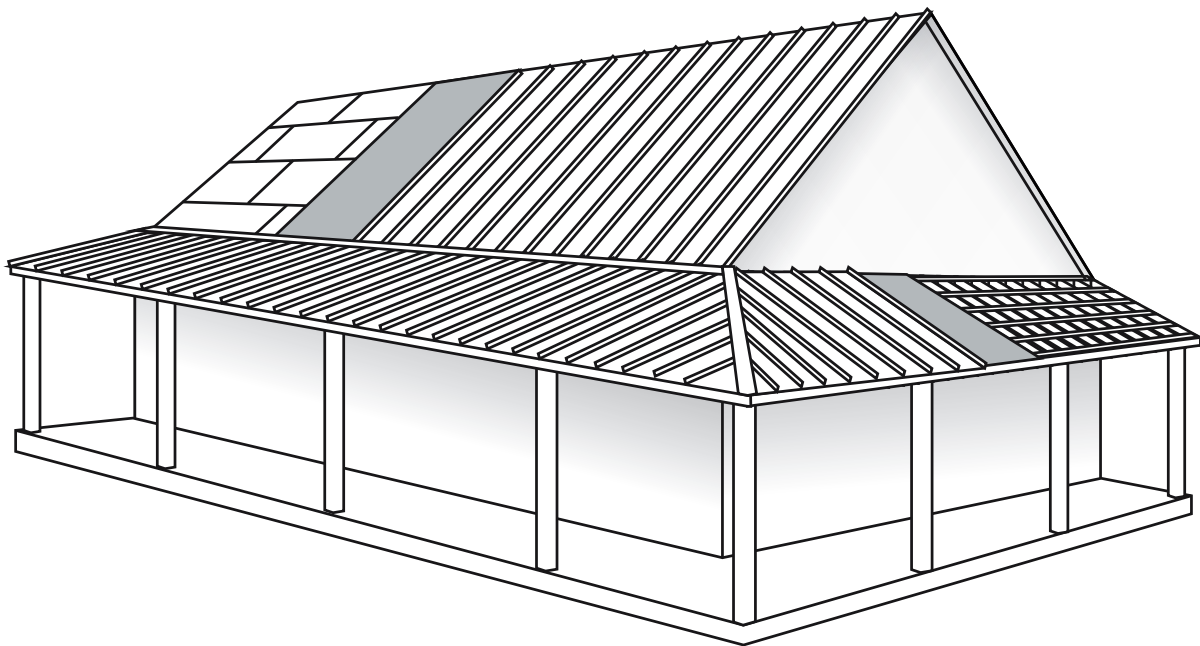


Wagler Standing Seam Panel Overview and Installation Guide



Wagler Standing Seam Panel Overview and Installation Guide

Standing Seam Panel Overview	1
Safety When Handling	2
Safety During Installation	3
Storage, Wood Decking, and Purlins	4
Ventilation	5
Standing Seam Panel Prep and Installation	6-8
Accessories and Tools Used for Standing Seam	9
Trim Profiles	10
Roof Trim	11-12
Roof to Wall Trim	13

Standing Seam Panel Overview

The Wagler standing seam panel is a 16" wide panel with 1.5" high ribs. The Wagler standing seam panel uses a hidden fastener clip system that makes it ideal for use on houses, porches, or light commercial construction. The standing seam panel is made using a state-of-the-art New Tech Roll Former and can be manufactured in our shop, or on job sites depending on the panel lengths and job size.

Paint Finish: The Wagler standing seam panel is painted with 40 Year Warranty* Sherwin Williams paint. Our standing seam smooth and textured paints are an exact match to Wagler panel paints. Note that standing seam is not available in all colors. See Wagler panel and standing seam panel color charts.

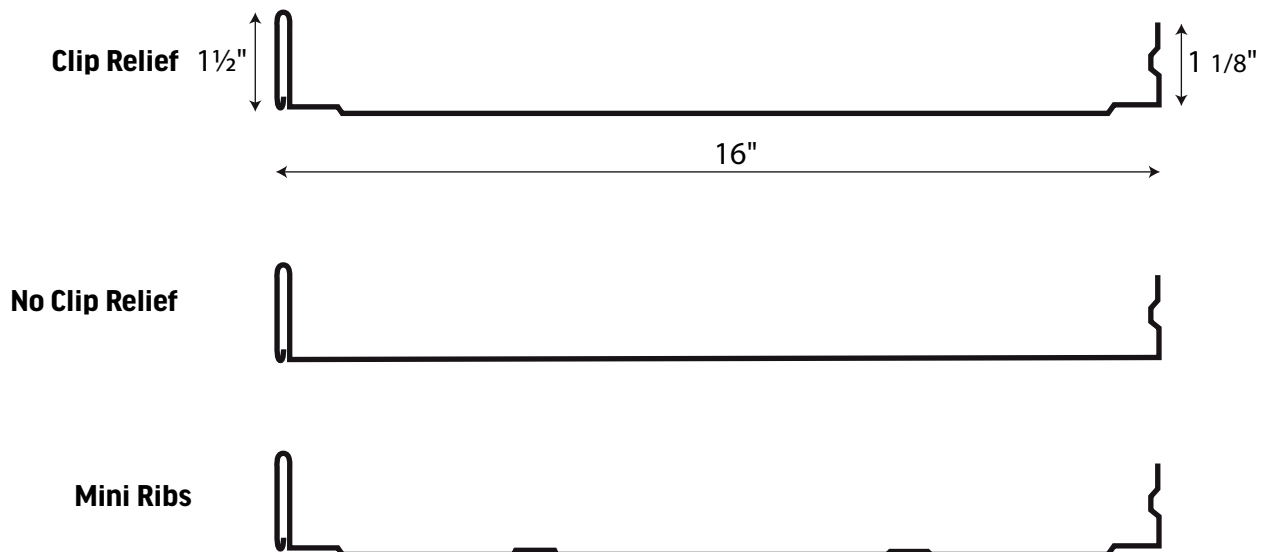
Please consult local building codes and professional engineers to verify snow and wind load requirements. It is the buyer's responsibility to verify codes and panel measurements. Oil canning can occur in the flat part of standing seam panels, and is not a cause for rejection. Using clip relief, mini ribs, and textured paint can reduce oil canning, but is not guaranteed to eliminate it.

Minimum Slope: The minimum recommended slope of the Wagler panel is 2/12 pitch.

Thickness: The standard thickness of Wagler standing seam is 26 gauge. 24 gauge is available in special order or job size quantities.

Length: Wagler standing seam panels are available from 12" to 30' when made in our shop. If the machine is taken on-site, panels can be made up to 50' depending on customer's ability to handle.

Width and Height: The standard width of the Wagler standing seam panel is 16" with 1.5" high ribs. The standard panel also comes with clip relief.

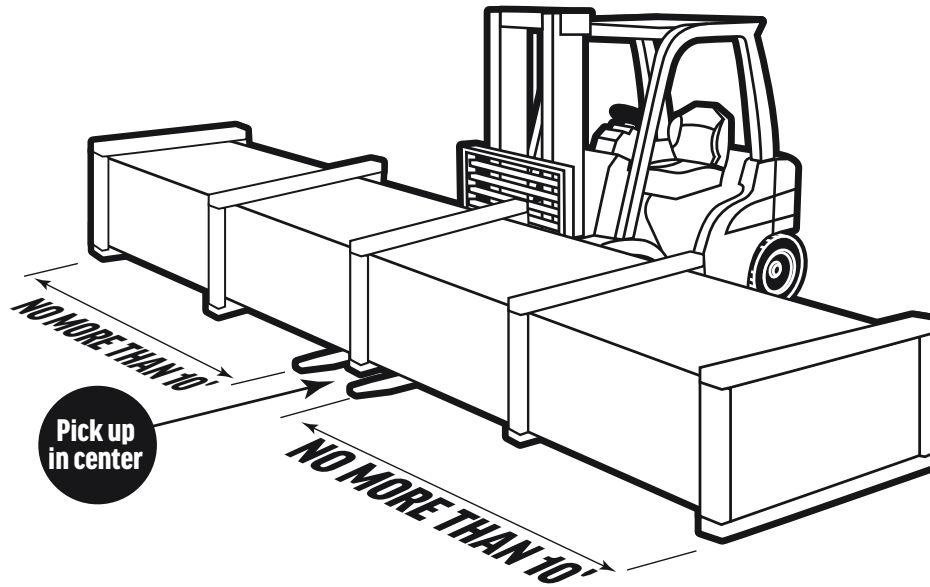


Safety When Handling and Storage

Unloading and Moving:

Lift all bundles at the center.

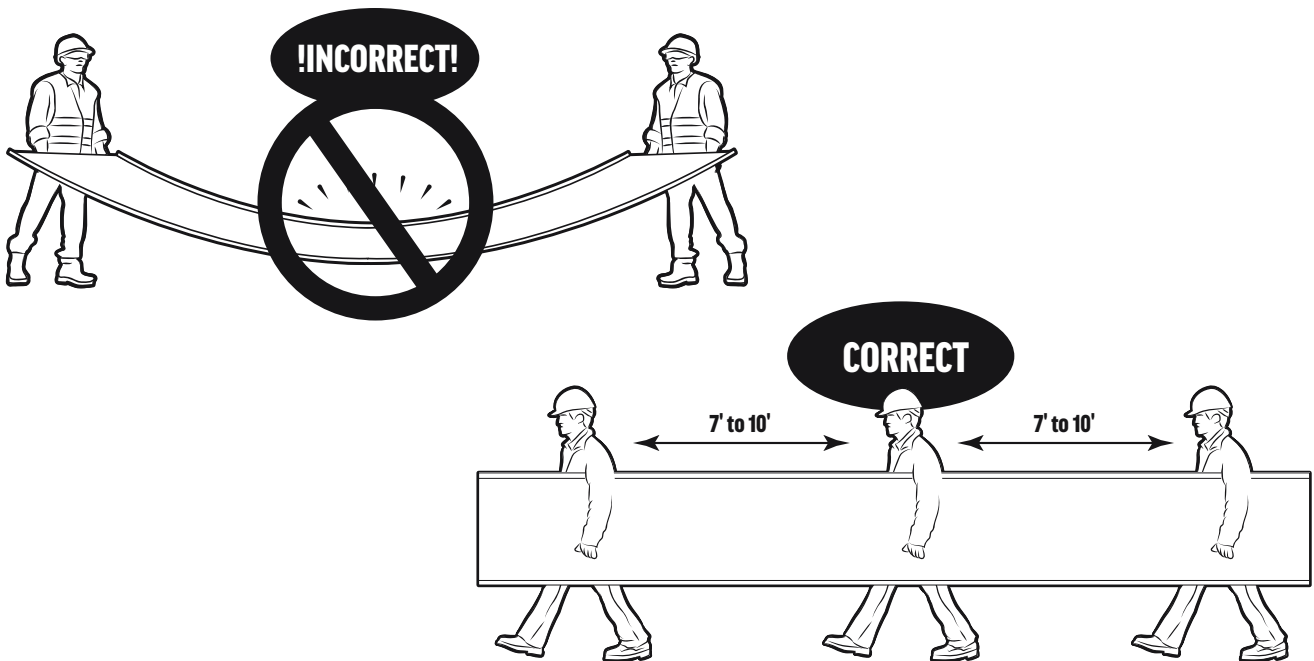
Panels over 25' should be moved using a forklift with a spreader bar.



Safety When Handling

When moving panels, lift on edge.

Do not pick up from ends.



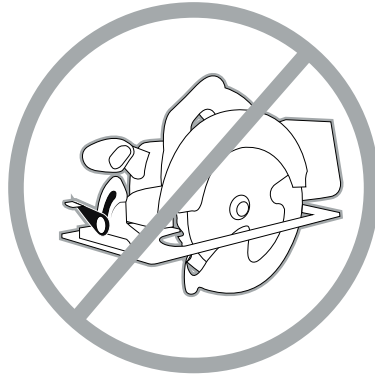
Safety During Installation

Use caution handling or installing the Wagler standing seam panel. Improper work practices can cause extreme bodily injury. Use gloves and safety goggles when handling, cutting, and installing the Wagler standing seam panel. Do not attempt to handle or install during high winds or rain. Wind can blow the panels, and they are slippery when wet. Use proper safety gear and consult OSHA guidelines.

Use snips or nibblers to cut panels. Do not use circular saws.



Use

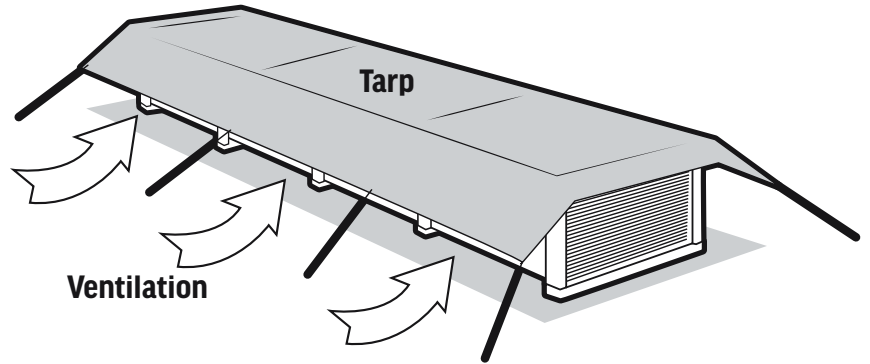


Do Not Use

Touch up Paint: Touch up paint is available in all colors to fix minor scratches. It may not weather at the same rate as original paint, so only apply in small amounts.

Storage

Panels should be stored in a dry place. Metal should not be stored outside for an extended period of time. When water collects between panels, it can damage the paint. Do not cover the panels with plastic as it can cause sweating or condensation. If you use canvas, allow ventilation as shown.

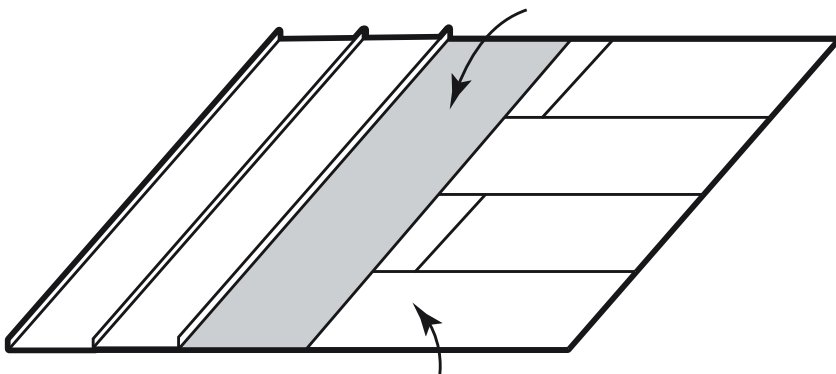


Wood Decking Purlins and Underlayment

Wagler standing seam panels work best when installed over $\frac{5}{8}$ " or thicker plywood with 30# felt or equivalent (RoloShield metal underlayment recommended). Clips should be installed 24" on center with (2) #10 x1 pancake screws. Panels can also be installed on purlins no more than 18" on center with Double Bubble Insulation.

OPTION 1

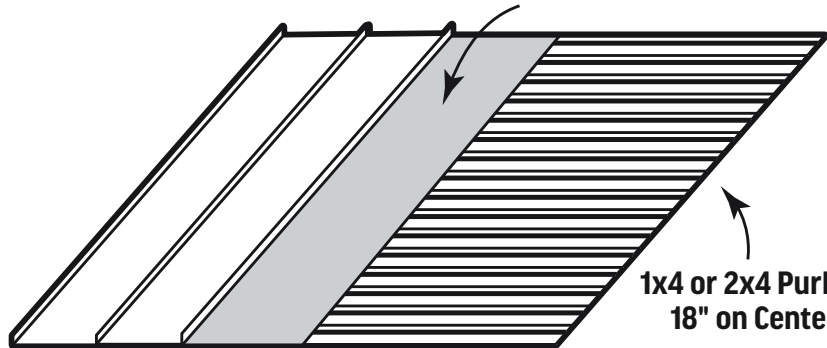
30# Felt Rolo Shield



$\frac{5}{8}$ " Plywood

OPTION 2

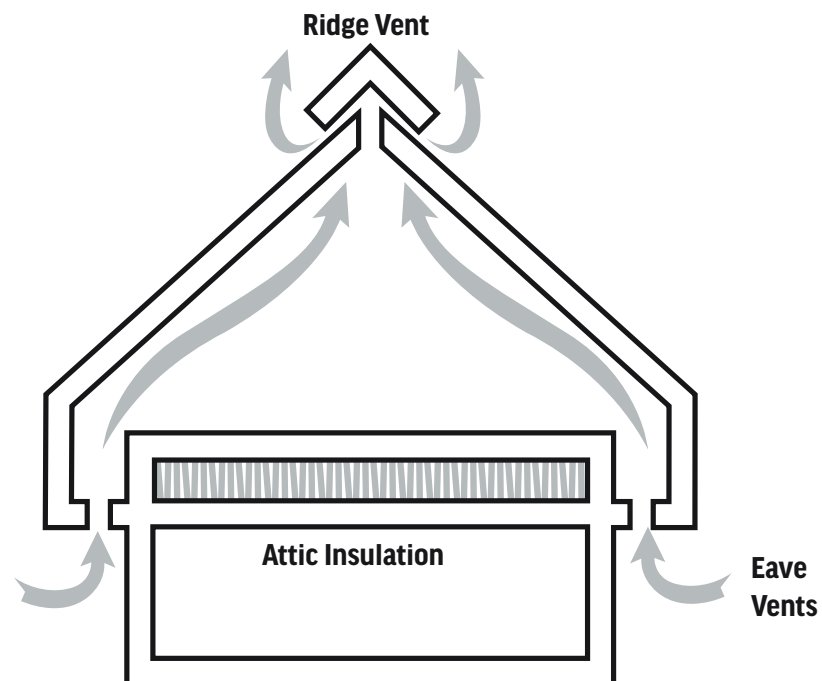
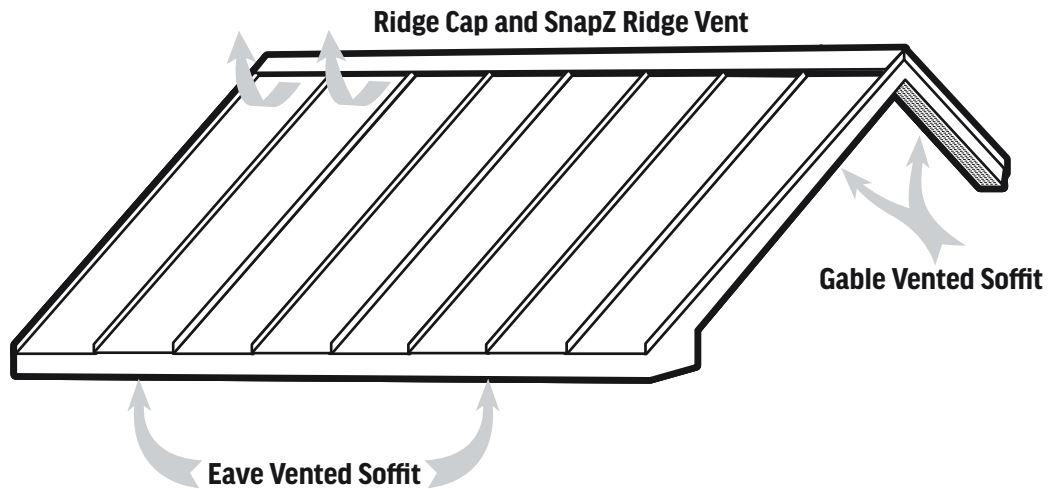
Double Bubble



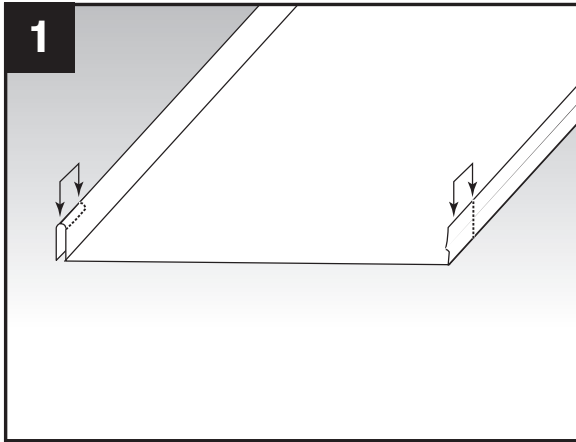
1x4 or 2x4 Purlins
18" on Center

Ventilation

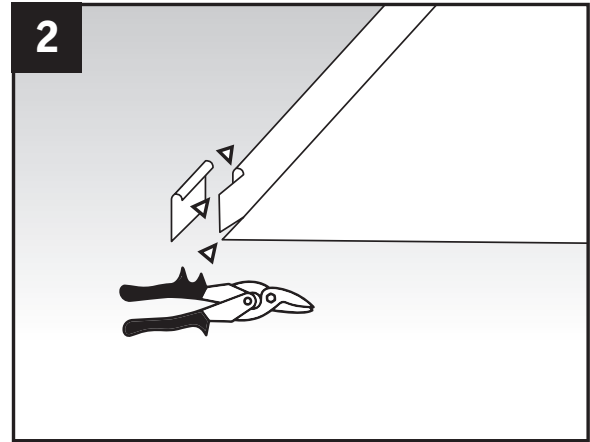
Proper design and ventilation are important to stop condensation and increase the life of your roof. Please ensure that both the eaves and ridge are properly vented using Wagler Vented Soffit and Snap Z Vented Ridge. Double Bubble insulation can be used to reduce condensation. Wagler Steel is not responsible for condensation that may occur.



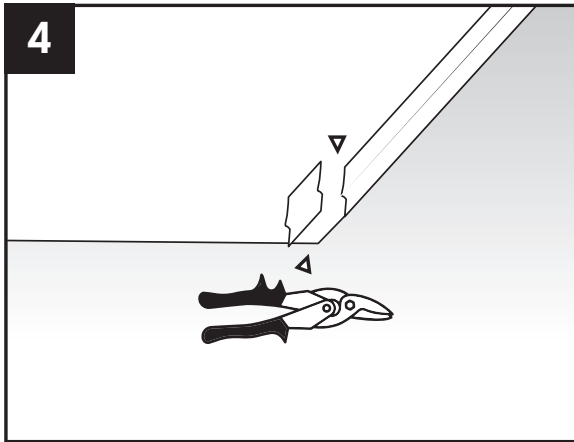
Standing Seam Panel Installation



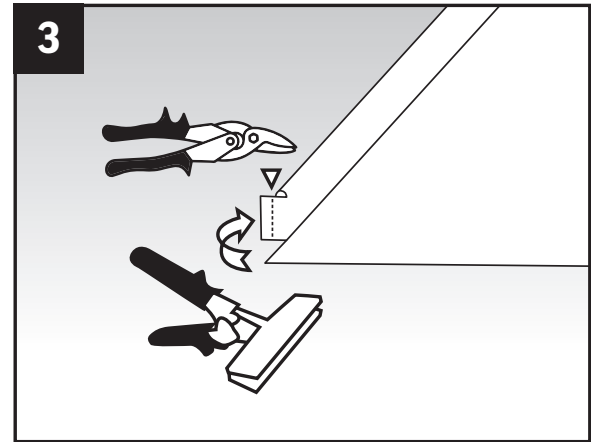
1 Measure 1 inch from the ends, and mark your trim lines.



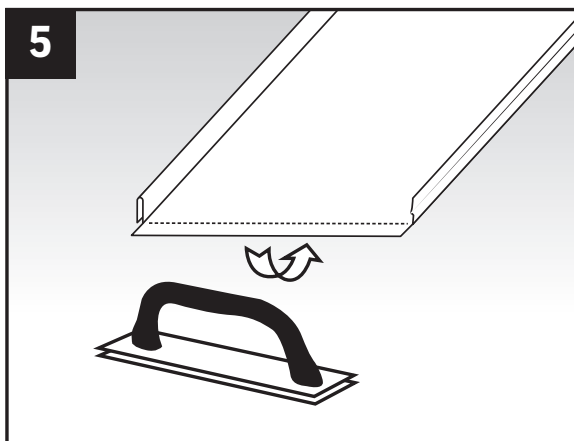
2 Remove the outside of the rib, but leave a tab on the inside surface of the rib.



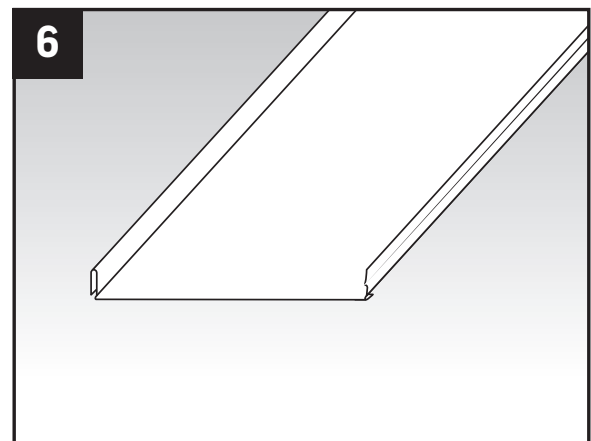
3 Trim the end off of your inner rib tab.



4 Fold the tab of the rib over to close off the rib and trim off excess material.

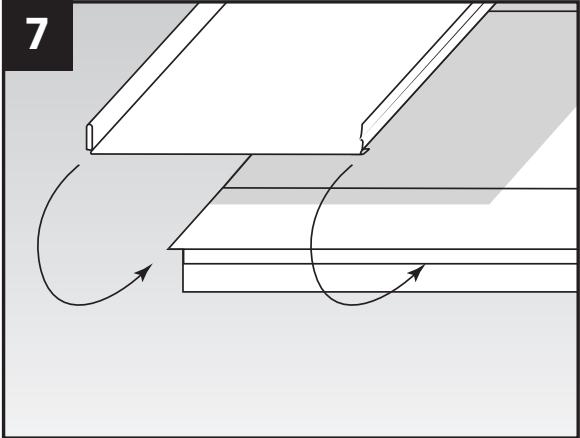


5 You now have a 1" lip. Use a bending tool to form your drip edge hem.

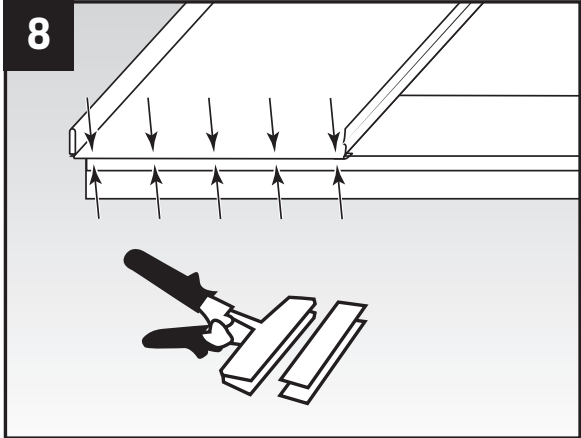


6 The panel is now ready to install on the roof.

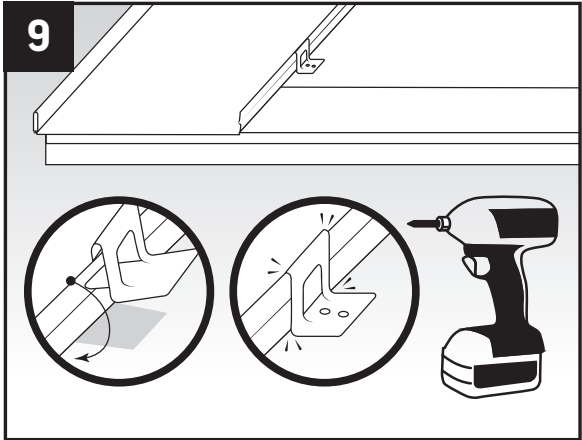
Standing Seam Panel Installation



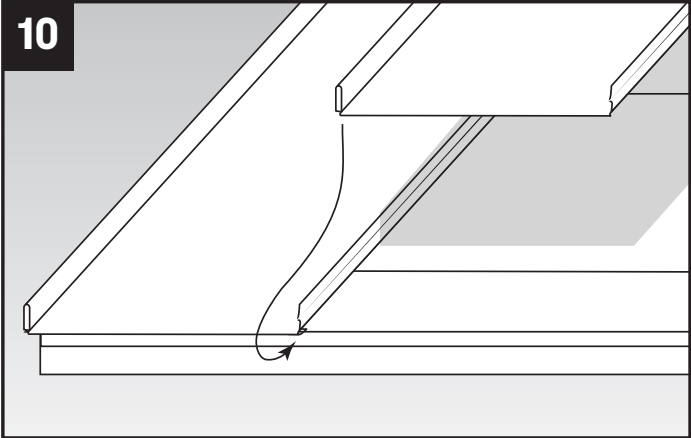
Slide the panel in place. Be sure to fit the hem over the lip on the eave trim and position the panel where you want it.



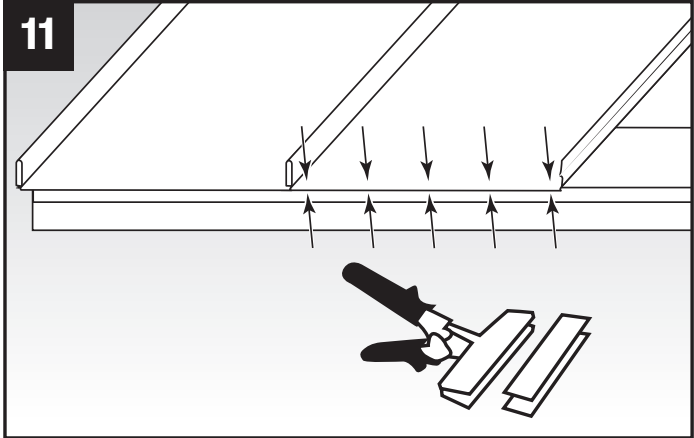
Using your crimping tool, press the hem onto the eave lip to hold it in place. (You can use scrap cardboard between your tool and panel to protect the finish.)



Snap your clips in place on the inner rib tab. Place them every 18" and use two (1" or 1½") pancake screws to secure them.



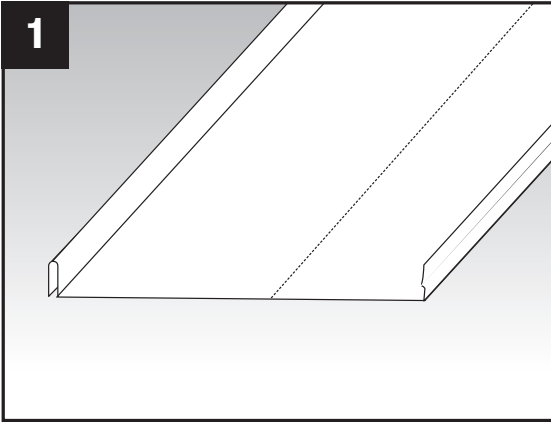
Slide the next panel in place. Be sure to fit the hem over the lip on the eave trim, and position the panel where you want it.



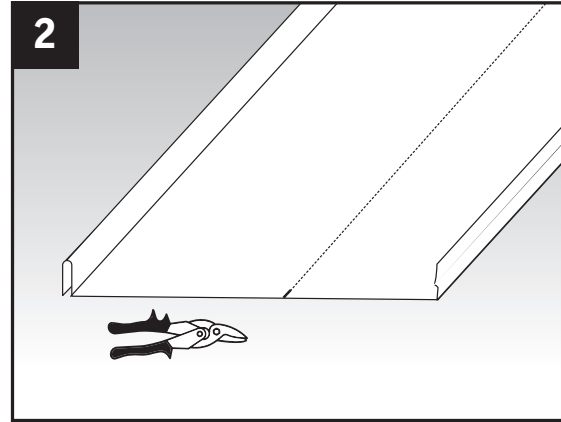
Using your crimping tool. Press the hem onto the eave lip to hold it in place. (You can use cardboard between your tool and panel to protect the finish of the panel.)

Standing Seam Field Bending

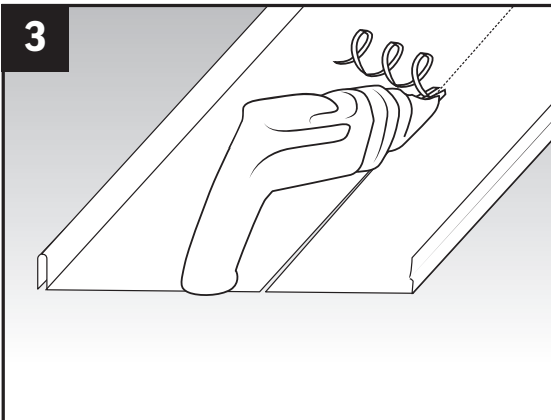
Use these steps when a partial panel is needed to finish a roof.



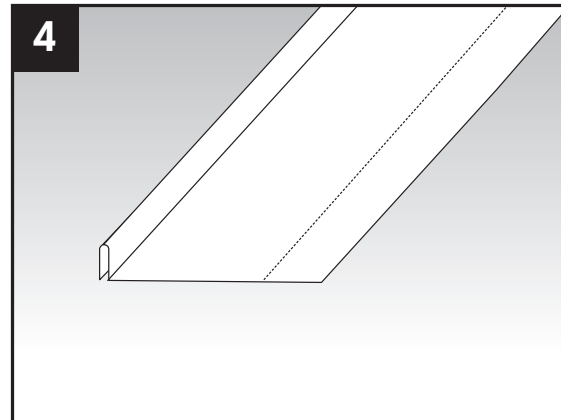
Begin by marking out your cut with a chalk line.
Be sure to add extra material for the seam you will form.



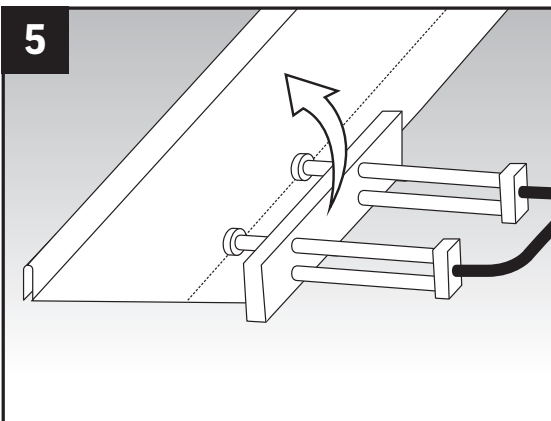
Snip a 1" cut on either end of your cut line.



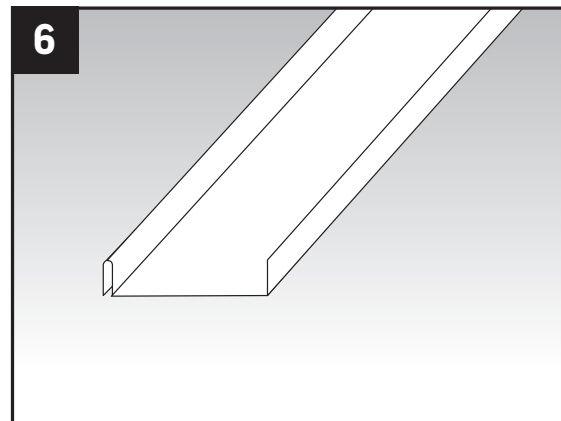
Trim the panel using power shears.



Mark the panel for your fold with a chalk line.



Using an edge roller slowly fold up the lip.



Your panel is now ready to install.

Accessories and Installation Tools for Standing Seam



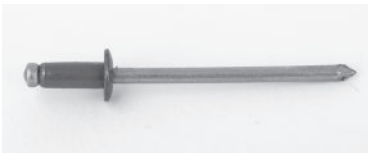
1. Pancake Screws 1" and 1½"



2. Roofing Screws 1" to 2.5"
Color Matched



3. Standard Clip 1½"



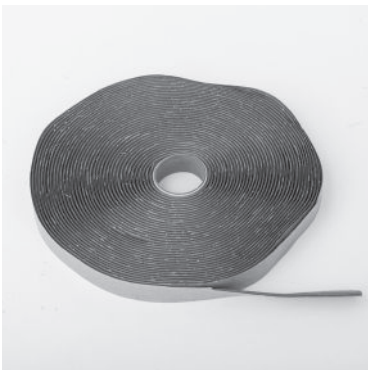
4. Pop Rivet 250/Bag
Color Matched



5. 10'2" x 20" Flat Sheet
Color Matched



6. Roof Sealant (Caulk) 10.1 oz.
Color Matched or Clear



7. Butyl Tape 50' Roll x ½" Wide



8. Touch Up Paint 0.6 oz.
Color Matched



9. Bending Tool 18" or 24"



10. Clamping Tool



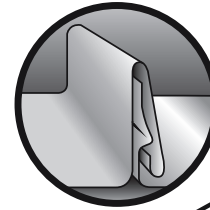
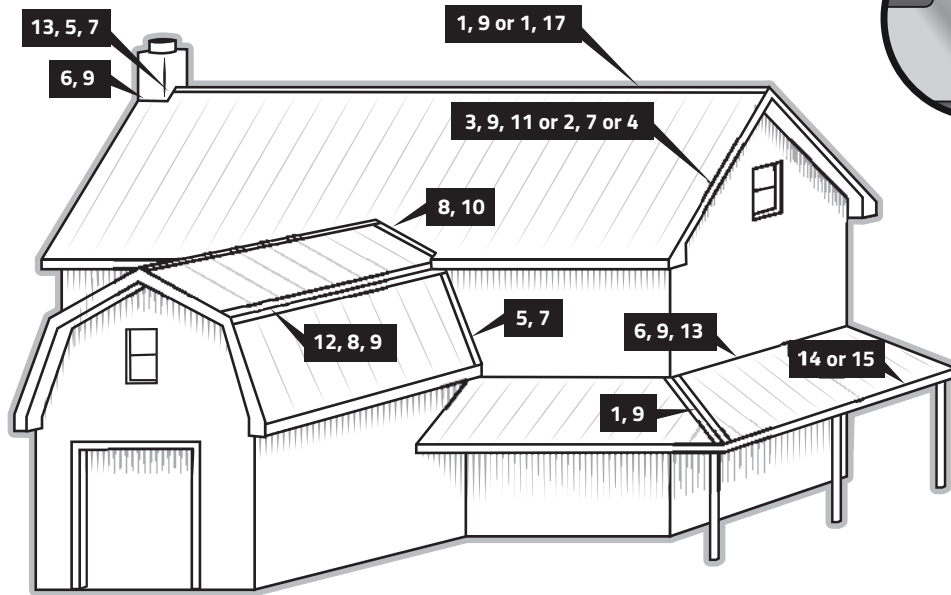
11. James Way Slitter



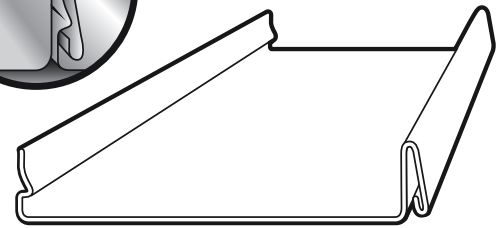
12. Pop Rivet Tool

Trim Profiles

We stock most of the trim profiles shown below.
Trim with * and custom trims can be made to order.
Drawings are not to scale.

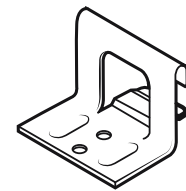


Standing Seam Panel Profile

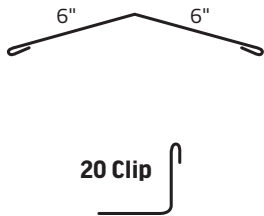


16"

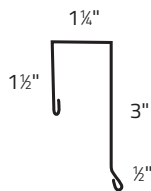
Standing Seam Roof Clip



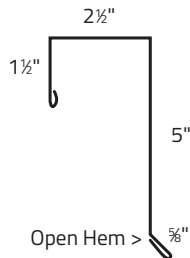
1. Ridge



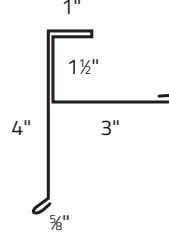
2. Rake Trim



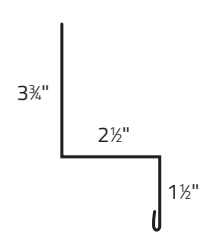
3. Gable Flashing



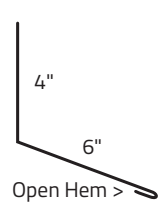
4. Concealed Fastener Rake



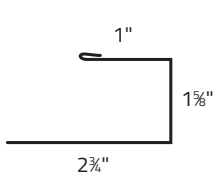
5. Sidewall Flashing



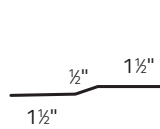
6. Endwall Flashing



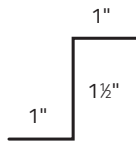
7. Starter J



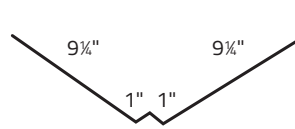
8. Offset Cleat



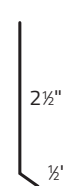
9. Z Closure



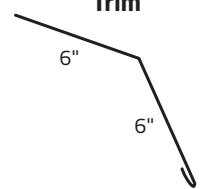
10. Valley Trim



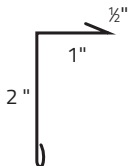
11. Gable Cleat



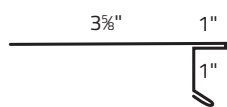
12. Gambrel Trim



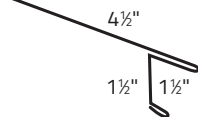
13. Counter Flashing



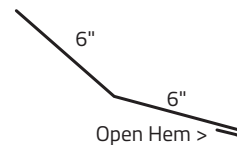
14. Residential Eave Standard Trim



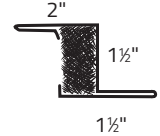
15. Residential Eave Custom Roof Pitch



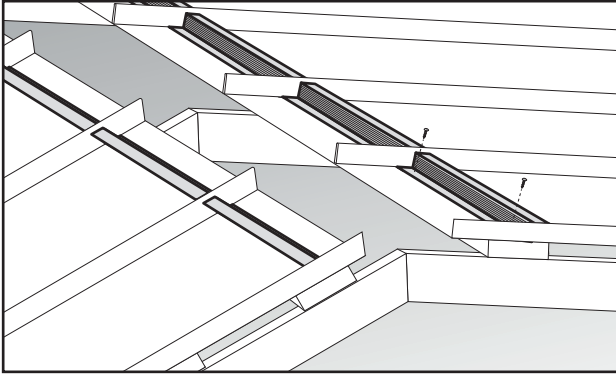
16. Transition Flashing



17. Snap-Z 150

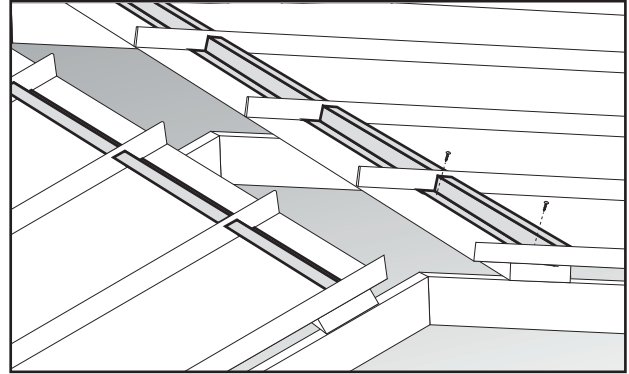


Roof Trim



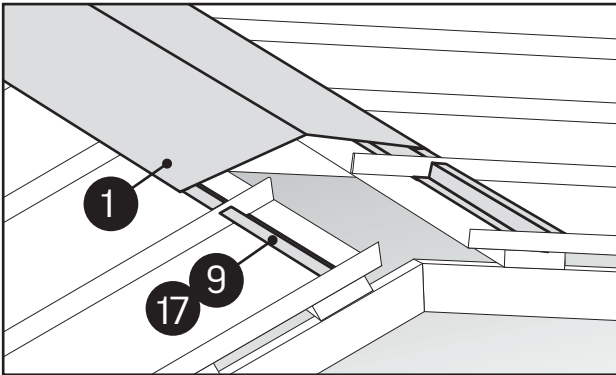
17 - Snap-Z (Vented)

Secure with pancake screws in panels and rivets in ridge cap.
Caulk as needed along standing seam panels.



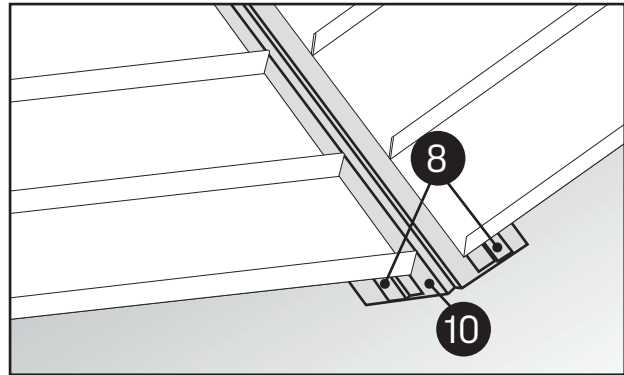
9 - Z-Trim

Secure with pancake screws in panels and rivets in ridge cap.
Caulk as needed along standing seam panels.



1 - Ridge Cap (with 17 or 9 Snap-Z closure)

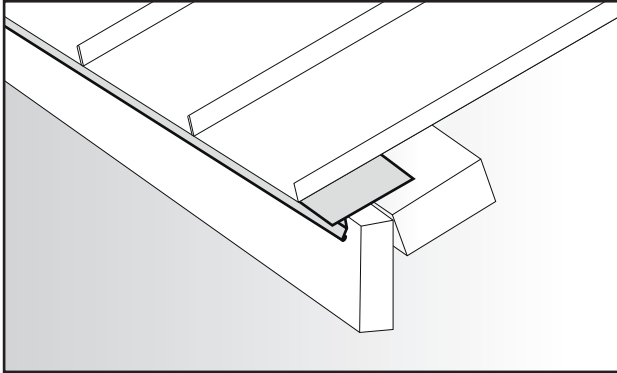
Secure with pancake screws in panels and rivets in ridge cap.
Caulk as needed along standing seam panels and ridge cap.



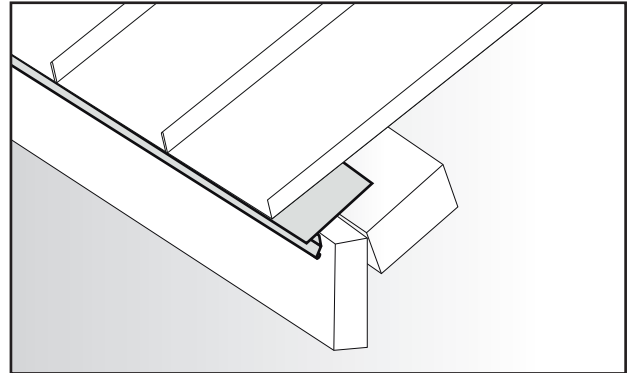
10 - Valley Trim (with 8 Offset Cleat)

Secure with pancake screws in panel clips.
Use butyl tape and caulk as needed.

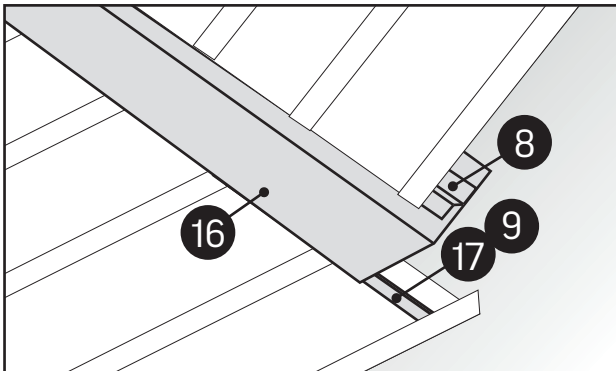
Roof Trim



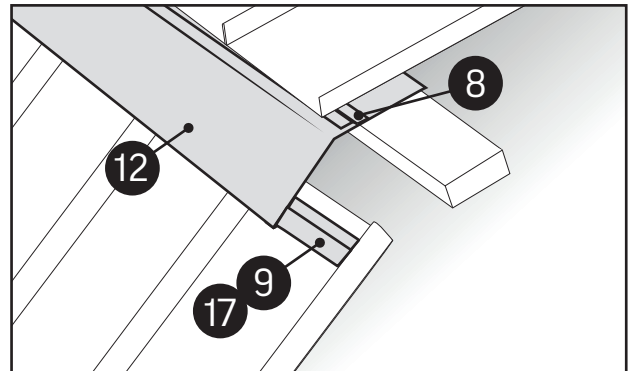
14 - Residential Eave Standard Trim
Secure with pancake screws into framing.
Use caulk as needed.



15 - Residential Eave Custom Roof Pitch
Secure with pancake screws into framing.
Use caulk as needed.

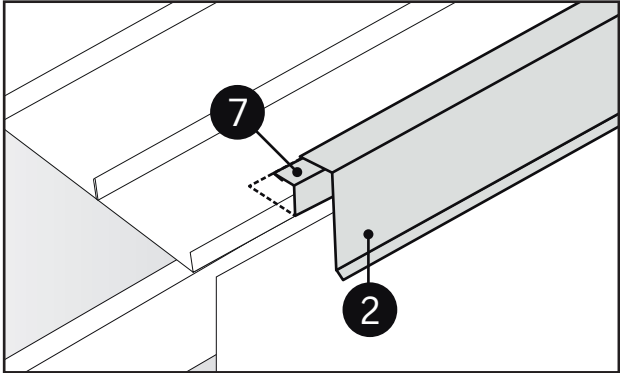


16 - Transition Flashing
(with Offset Cleat 8, Z Closure 17 or 9)
Secure with pancake screws in panels and rivets in flashing.
Caulk as needed along standing seam panels.

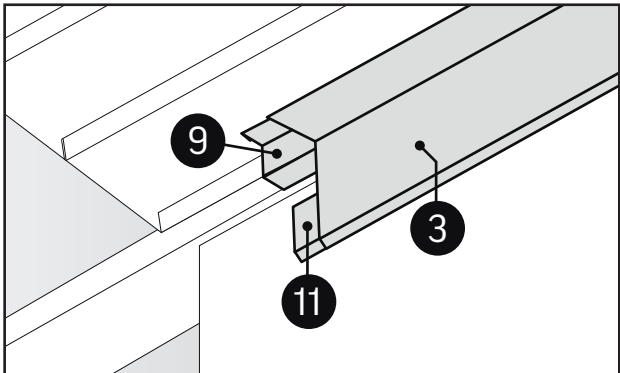


12 - Gambrel Trim (with Offset Cleat 8, 17 or 9 Snap-Z closure)
Secure with pancake screws in panels and rivets in ridge cap.
Caulk as needed along standing seam panels and trim.

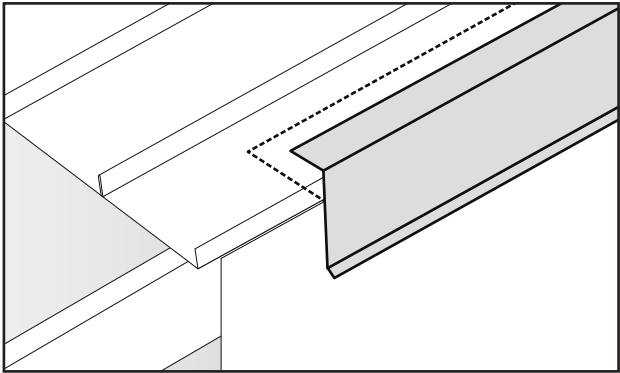
Roof to Wall Trim



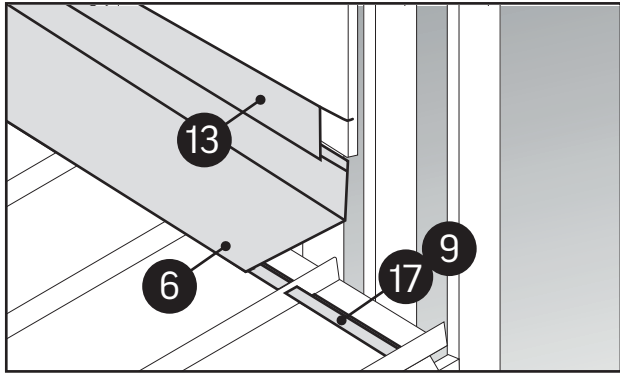
2 - Rake Trim (with 7 Starter J)
 Secure with pancake screws in panels and rivets in flashing
 Use butyl tape and caulk as needed.



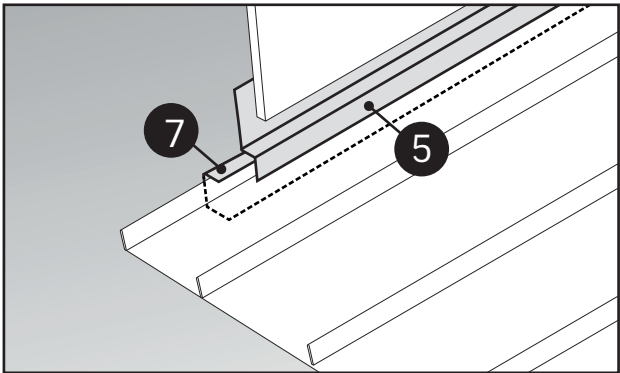
3 - Gable and Gable Cleat (with 11 Gable Cleat & 9 Z Closure)
 Secure with pancake screws in panels and rivets in flashing
 Use butyl tape and caulk as needed.



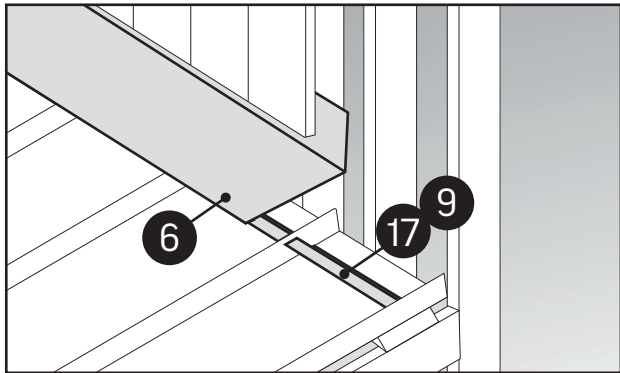
4 - Concealed Fastener Rake
 Secure with pancake screws into framing.
 Use caulk as needed.



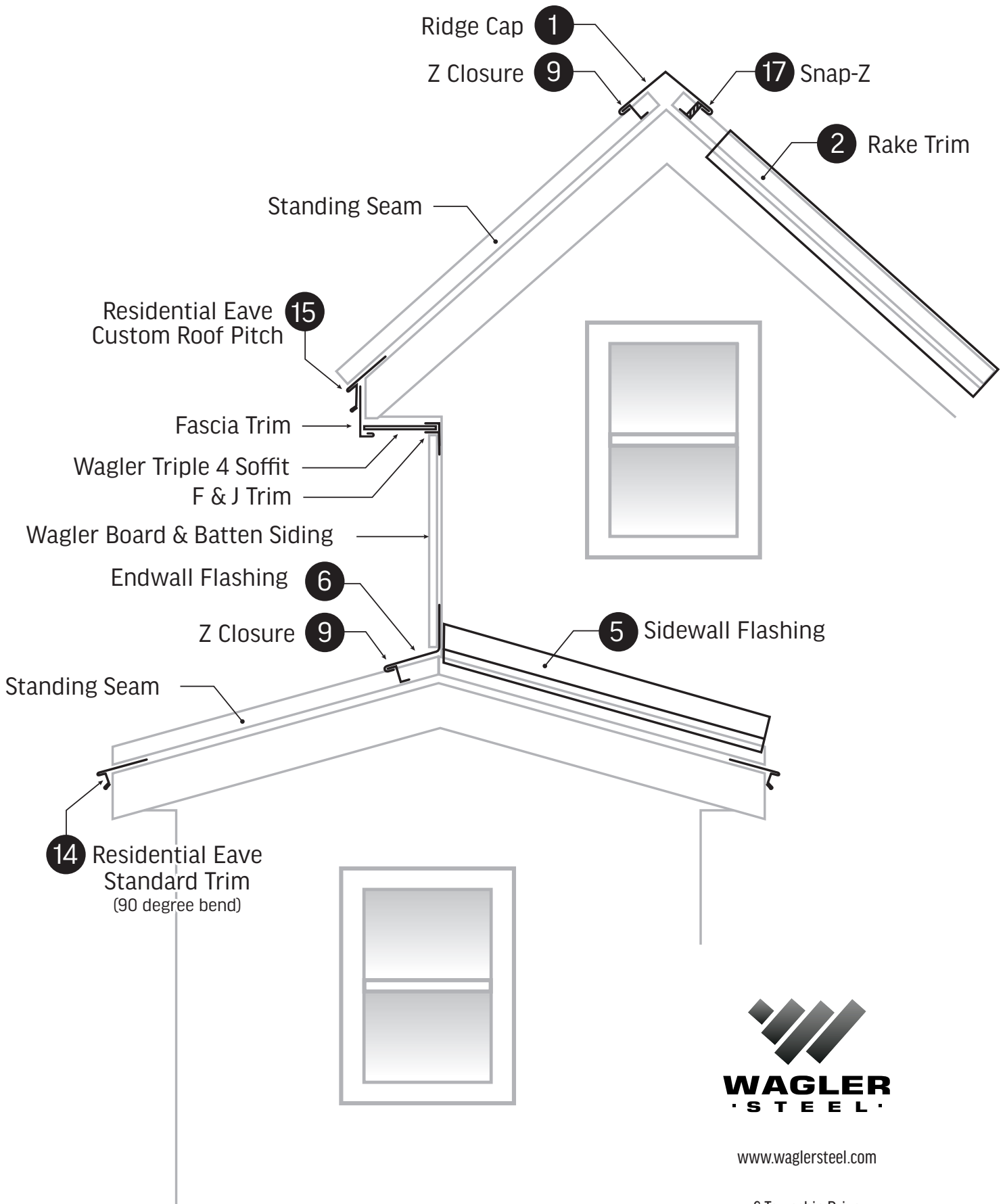
13 - Counter Flashing - Used when no siding is installed
 Secure with pancake screws in panels and rivets in flashing.
 Caulk as needed along standing seam panels.



5 - Sidewall Flashing (with 7 Starter J)
 Secure with pancake screws in panels and rivets in flashing.
 Caulk as needed along standing seam panels.



6 - End Wall Flashing (with 17 or 9 Z closure)
 Secure with pancake screws in panels and rivets in flashing.
 Use butyl tape and caulk as needed.



www.waglersteel.com

6 Township Drive
 Paradise, PA 17562
 717-288-2138